

\* Analog = Temp

NOR GUARD SYSTEM  
LOGIG NW-4 W/T

Prod.nr:.....  
Software:.....  
Date/Sign.....  
Install:.....  
Inst./Test:.....  
Date/sign:.....

\* GAS (not available)

STANARD

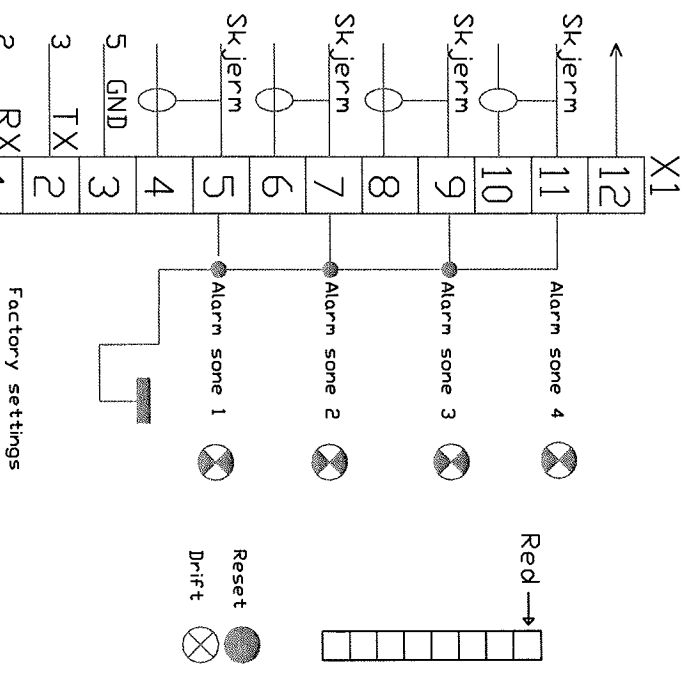
1 Some water

Analog sensor  
Supply 12V  
Max.0,2A

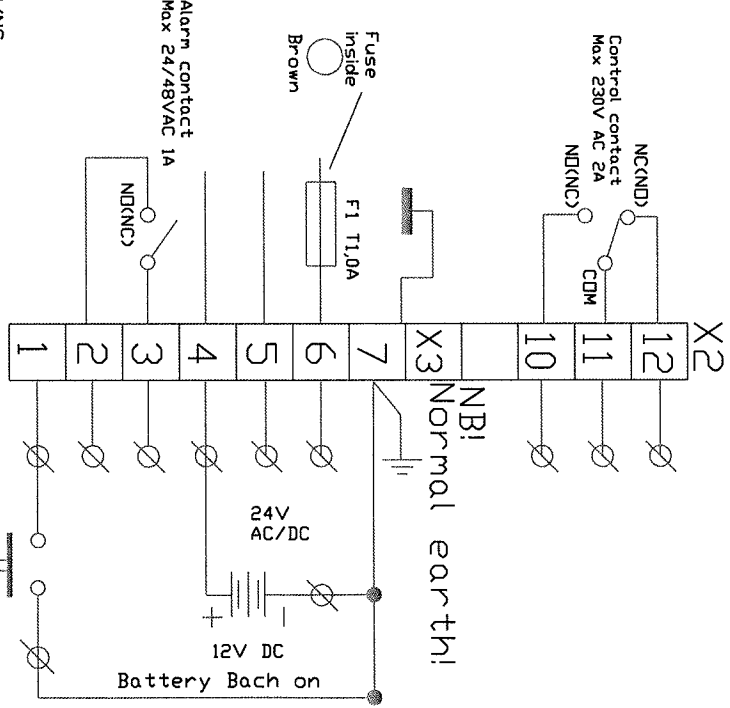
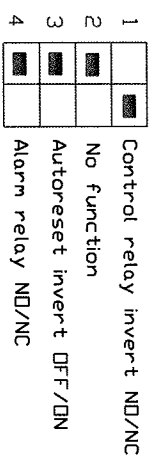
OPTION

1 Some temp.  
3 Some water  
1 Some temp.

- Sone 4 Analog temp.
- Standard open
- Out off use = 10 KOhm
- Sone 3 water
- Option
- Out off use = Link
- Sone 2 water
- Option
- Out off use = Link
- Sone 1
- Standard open



Setting on dip switch  
under the cover for X1



Reset from outside, f.e. BMS system (SD system)

Factory settings are only an recomadation  
You are self responsible for settings and for  
your own demands for funktions and best security  
by testing when you are doing the drawings and instalation  
Cotacts are shown without woltages and without current

Seperate trafo 24 V AC is required for Nor-Guard System.  
Must never be mixed with systems with different earth potensial.  
Current needed: 100 mA pr.system. With Link + 5mA pr.link.

Document dated: 150306  
Reservation for changes without warnings